

LT-890 12CH DMX512 CV Decoder



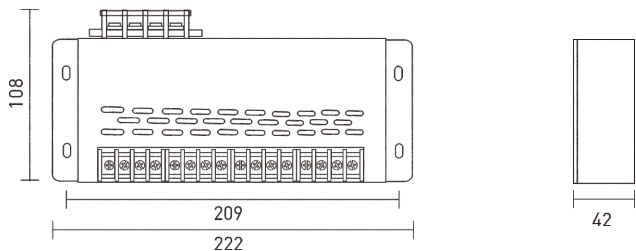
LT-890 DMX CV decoder converts the universal standard DMX512 signal into PWM signal to drive LEDs. works with DMX512 console, 256 grayscale output per channel, 0-100% dimming range with various changing effects. Equipped with DMX standard 3-pin XLR, RJ45 interface, controls single color, two color, RGB LED lights.

1. Product Parameter:

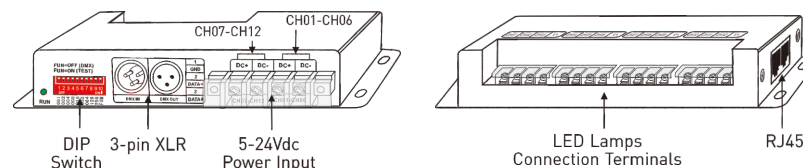
LT-890

Input Signal:	DMX512	Dimming Range:	0~100%
Input Voltage:	5~24Vdc	Working Temp.:	30°C~65°C
Max Current Load:	5A×12CH Max. 60A	Dimensions:	L222×W108×H42(mm)
Max Output Power:	{0~25W...120W}×12CH Max. 1440W	Package Size:	L230×W113×H46(mm)
DMX512 Socket:	3-pin XLR, RJ45	Weight[G.W.]:	715g

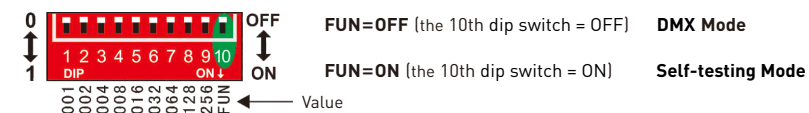
2. Product Size:



3. Configuration Diagram:



4. Dip Switch Operation:



4.1 How to set DMX address via dip switch:

FUN=OFF (the 10th dip switch=OFF) **DMX Mode**

DMX address value = the total value of (1-9), to get the place value when "on" position, otherwise will be 0.

E.g.1: Set initial address to 32.



E.g.2: set initial address to 37.



E.g.3: set initial address to 178.



$001+004+032=37$

$002+016+032+128=178$

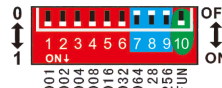
* When dip switch 1-9 are OFF, the defaulted initial DMX address is 1.

4.2 Testing function:

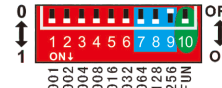
FUN=ON (the 10th dip switch=ON) **Self-testing Mode**

Regarding the dip switch, Turn on 10th for testing mode. No.1-6 control 12 channels accordingly. Namely one switch control 2 continuous channels. No.7-9 is for brightness setting, 8 levels, which applies for all channels.

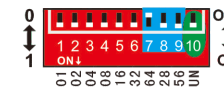
13% Brightness



50% Brightness



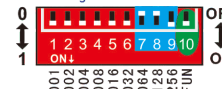
88% Brightness



25% Brightness



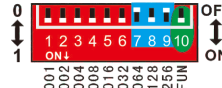
63% Brightness



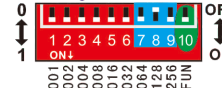
100% Brightness



38% Brightness

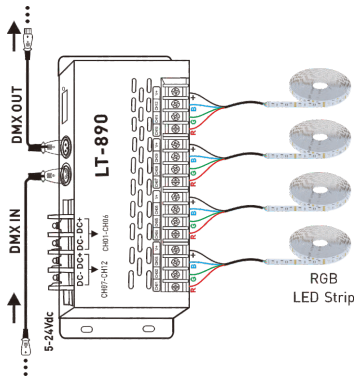


75% Brightness

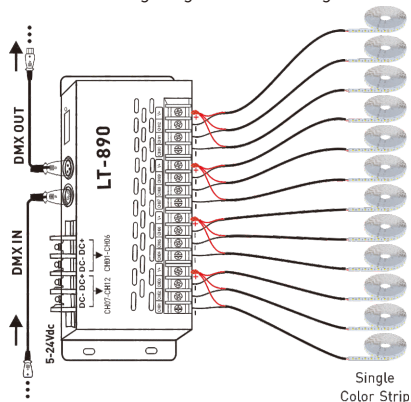


5. Wiring Diagram:

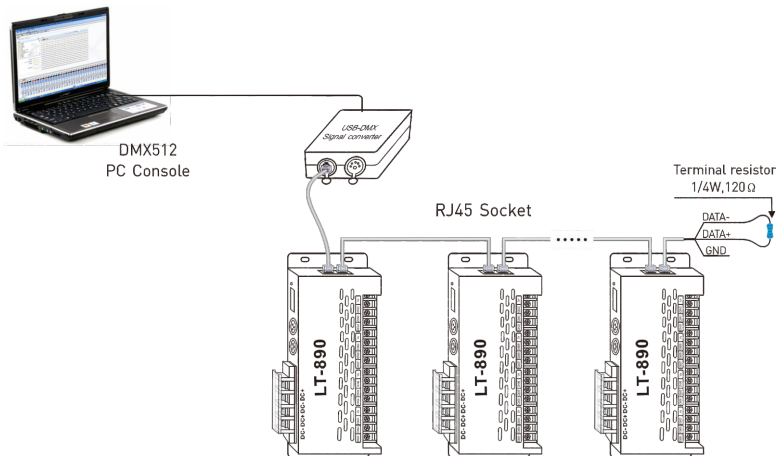
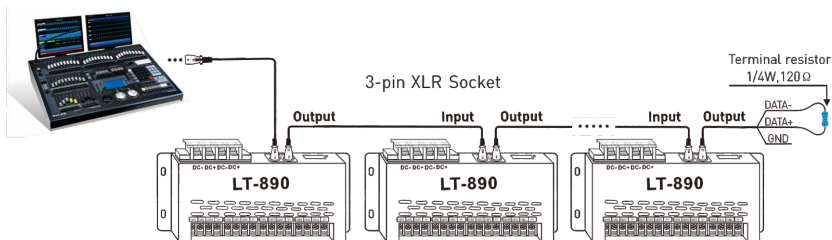
5.1 Connecting RGB LED lights:



5.2 Connecting single color LED lights:



5.3 DMX console connection:



6. Attention:

- 6.1 The product shall be installed and serviced by the qualified person.
- 6.2 This product is non-waterproof. Please avoid the sun and rain. When installed outdoors please ensure it is mounted in a water proof enclosure.
- 6.3 Good heat dissipation will prolong the working life of the controller. Please ensure good ventilation.
- 6.4 Please check if the output voltage of the LED power supply used comply with the working voltage of the product.
- 6.5 Please ensure that adequate sized cable is used from the controller to the LED lights to carry the current. Please also ensure that the cable is secured tightly in the connector.
- 6.6 Ensure all wire connections and polarities are correct before applying power to avoid any damages to the LED lights.
- 6.7 If a fault occurs, please return the product to your supplier. Do not attempt to fix this product by yourself.

7. Warranty Agreement:

- 7.1 We provide lifelong technical assistance with this product:
 - A 5-year warranty is given from the date of purchase. The warranty is for free repair or replacement if cover manufacturing faults only.
 - For faults beyond the 5-year warranty, we reserve the right to charge for time and parts.
- 7.2 Warranty exclusions below:
 - Any man-made damages caused from improper operation, or connecting to excess voltage and overloading.
 - The product appears to have excessive physical damage.
 - Damage due to natural disasters and force majeure.
 - Warranty label, fragile label and unique barcode label have been damaged.
 - The product has been replaced by a brand new product.
- 7.3 Repair or replacement as provided under this warranty is the exclusive remedy to the customer. We shall not be liable for any incidental or consequential damages for breach of any stipulation in this warranty.
- 7.4 Any amendment or adjustment to this warranty must be approved in writing by our company only.

★This manual only applies to this model. We reserve the right to make changes without prior notice.